
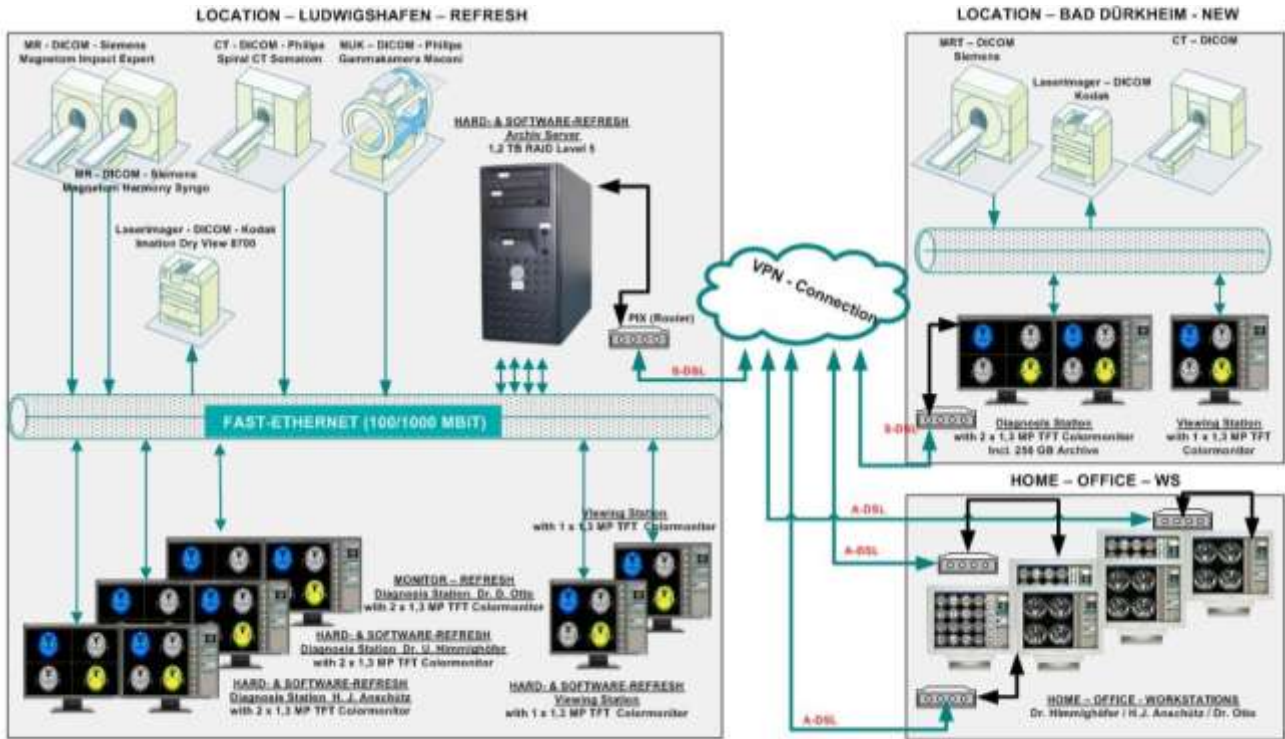


<b>Hospital/Institution Name:</b>	Radiological Practice Dres. Himmighöfer, Anschütz		
<b>City/Country:</b>	Ludwigshafen	Germany	
<b>Contact Persons (Phone, E-Mail):</b>	Dr. med. Uwe Himmighöfer	+49 621 559097 0	
		dr.himmighoefer@t-online.de	
<b>Consultant (Address, Phone, E-Mail):</b>			
<b>Connected Modalities DICOM:</b>	1 x CT, 3 x MRI, 1 x NUK, 2 x Lasercam		
<b>Connected Modalities ANALOG:</b>			
<b>Installation date:</b>	First step 2001; Second step 2007		
<b>Investment Volume ca.:</b>	60.000 € - 80.000 €		
<b>Patients per day:</b>	<b>GB per day:</b>	80	
<b>Server size:</b>	<b>TB per year:</b>	1,2 TB	400 GB
<b>Number of Diagnosis Stations:</b>	4		
<b>HIS/RIS Integration with Vendor:</b>			
<b>Telecommunication with:</b>	Practice Bad Dürkheim & 3 Home-Office-Workstations		
<b>Special Applications or Integrations:</b>	VPN- Connection to Practice Bad Dürkheim and to 3 Home-office-workstations		





Practice Entrance



DICOM - MRI



DICOM - NUK



DICOM - CT