
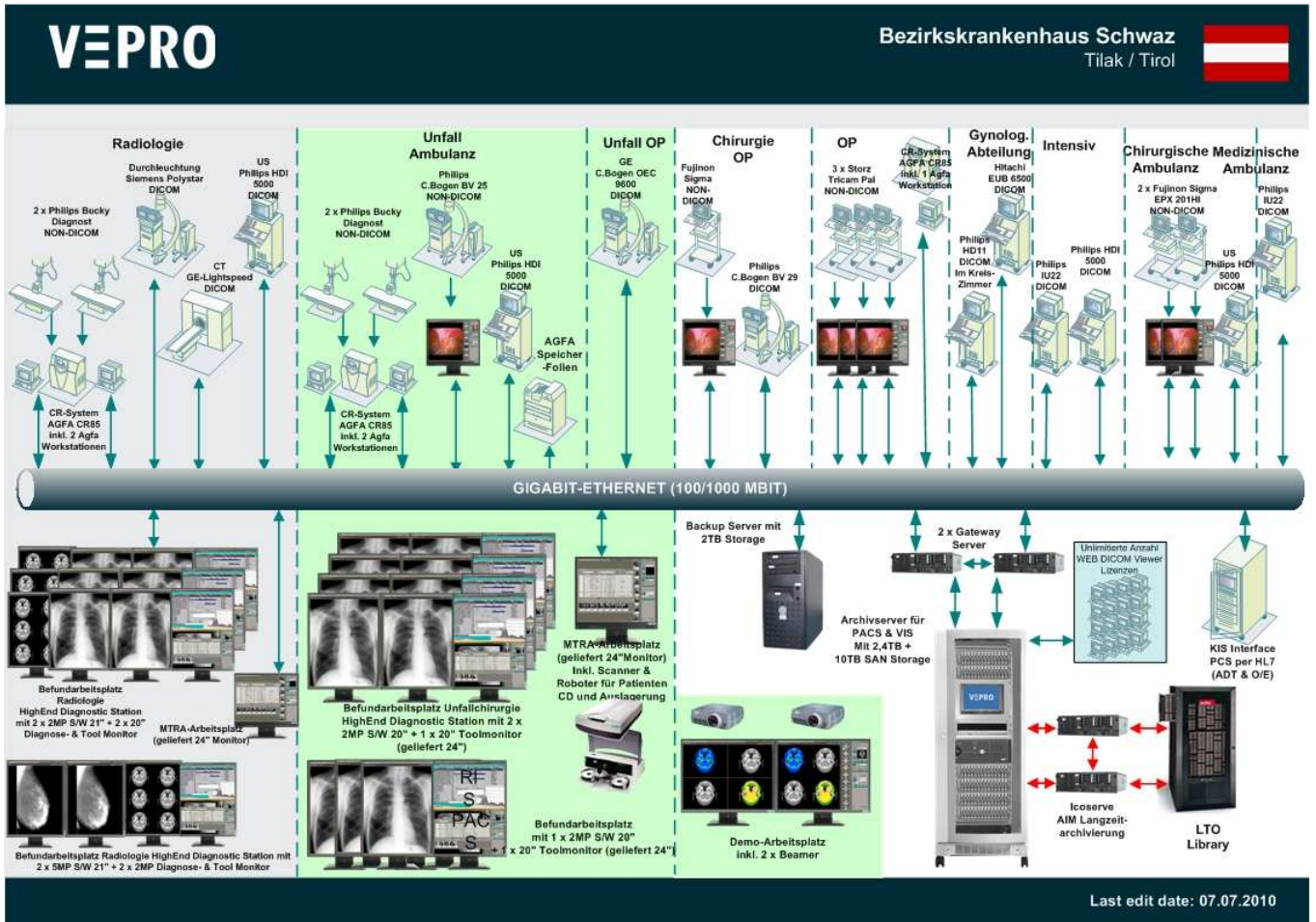
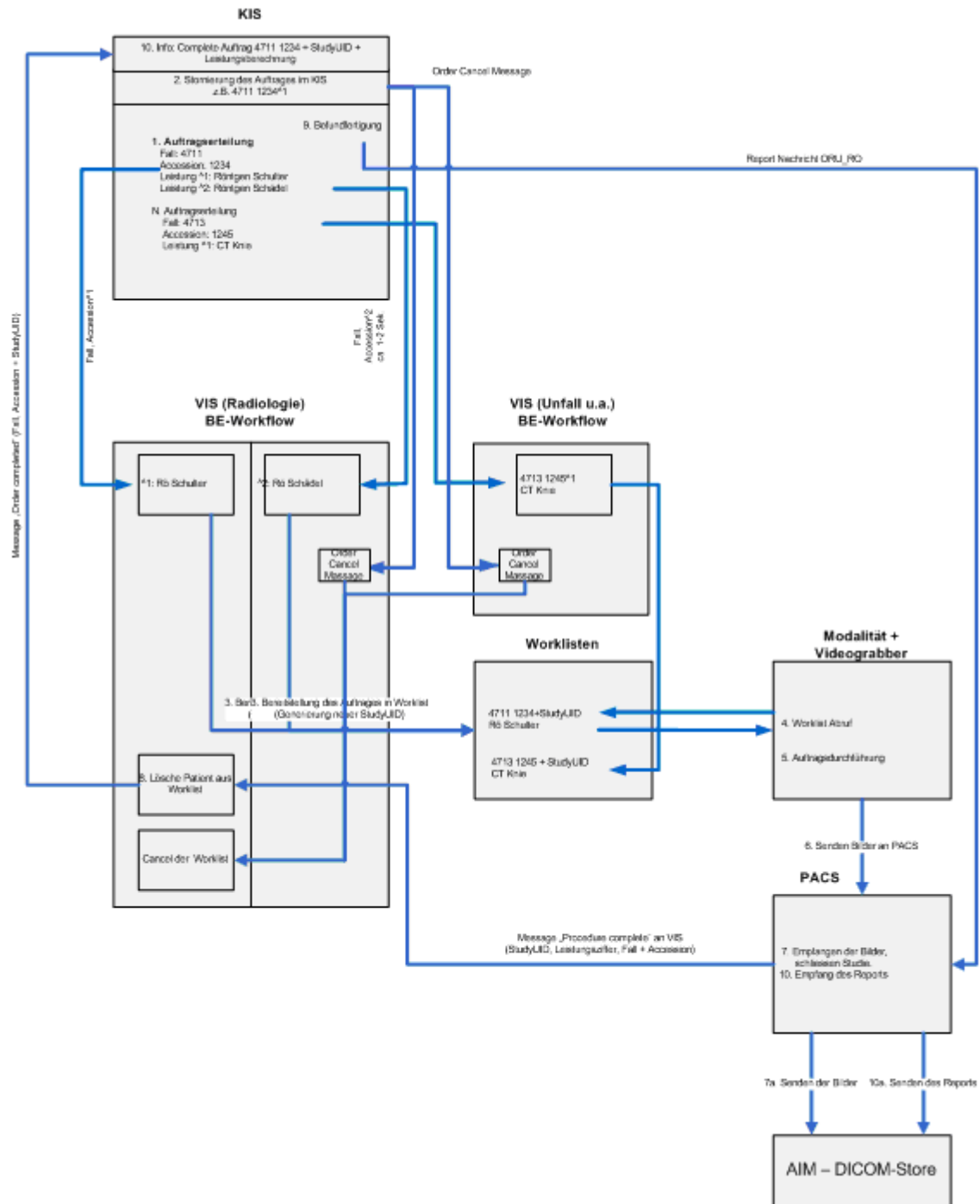


Hospital/Institution Name:	Bezirkskrankenhaus Schwaz		
City/Country:	Schwaz / Tirol	Austria	
Contact Persons (Phone, E-Mail):	Thomas Reichert	+43 5242 600 1231	
		m.weisz@kh-schwaz.at	
Consultant (Address, Phone, E-Mail):			
Connected Modalities DICOM:	17 Modality / CT, CR, C-Arm, US		
Connected Modalities ANALOG:	7 Modality / C-Arm, US, ES		
Installation date:	Q3 2007		
Investment Volume ca.:	1,5 – 1,8 Mio		
Patients per day:	GB per day:	300	4
Server size:	TB per year:	30TB SAN	1,2TB
Number of Diagnosis Stations:	19		
HIS/RIS Integration with Vendor:	PCS Padidok		
Telecommunication with:	TILAK Innsbruck and Tiroler Radiology - Network		
Special Applications or Integrations:	<ul style="list-style-type: none"> - Full Enterprise PACS & Workflow solution. - Separated special Workflow for each department from the hospital. - Communication with AIM Icoserve 		



Network Chart



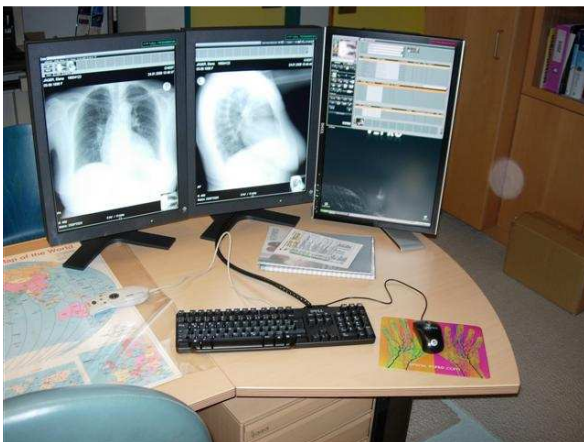
Network – Technical Diagram



Entry Hospital



Entry Radiology & Emergency



Work place radiologist



OT integration video camera



Emergency room



Hospital